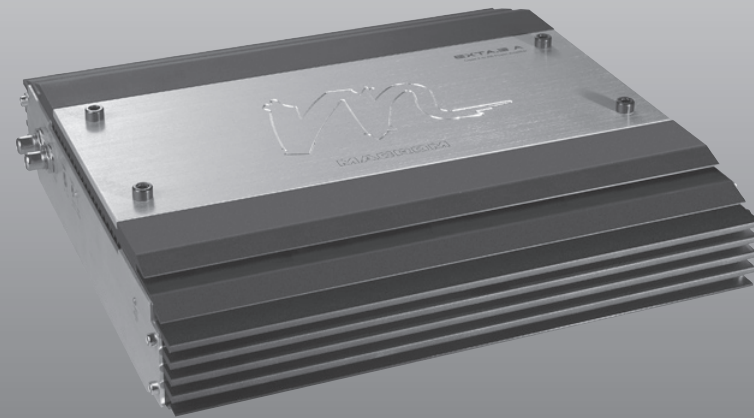


MACROM



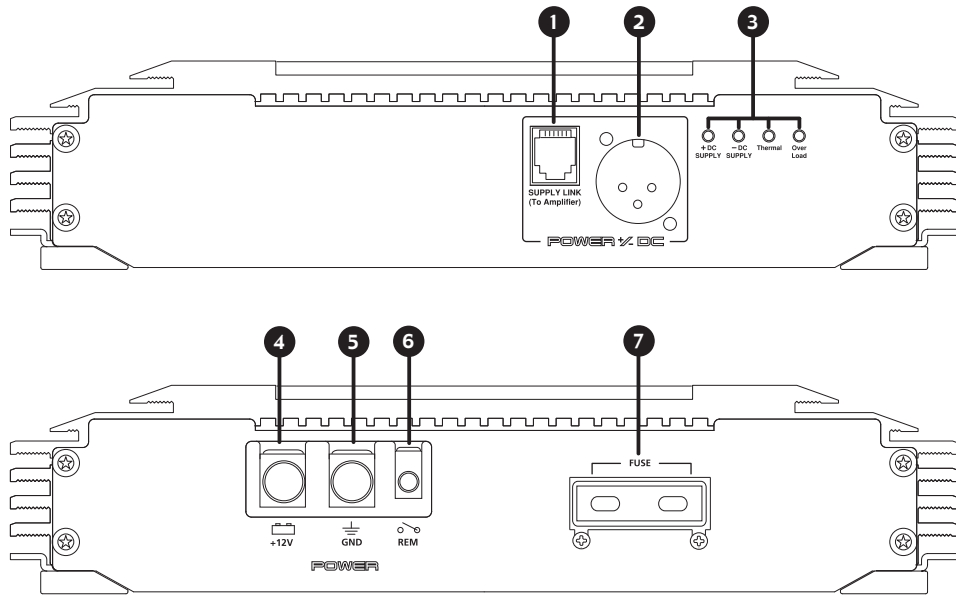
EXT.A2PS

MACROM

ALDINET Spa
Viale C. Colombo 8
20090 Trezzano sul Naviglio (MI)
ITALY

Owner's Manual

Front/Rear view

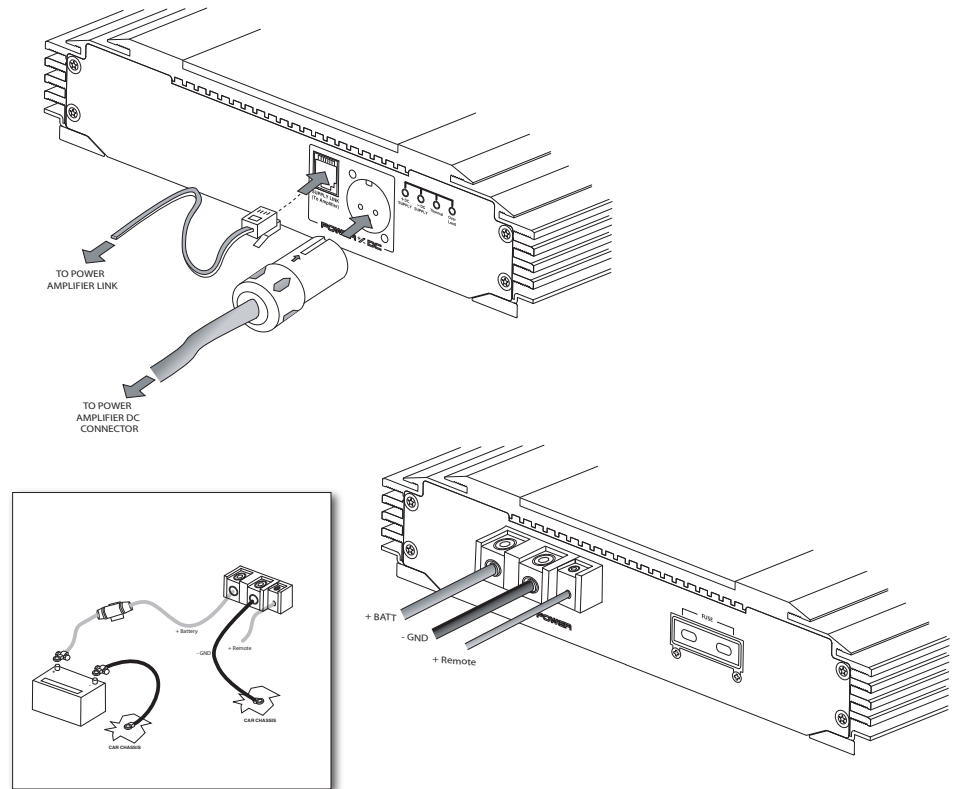


- 1 Supply Link (connect in to the amplifier Link)
- 2 Power +/- DC
- 3 Pow supply status
- 4 + 12V (DC) power terminal
- 5 Remote terminal
- 6 GND terminal
- 7 Fuse

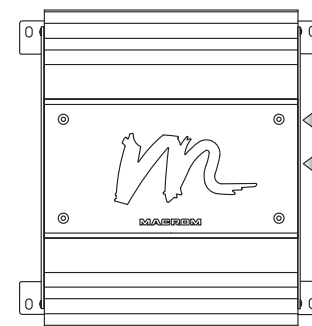
Features

- 500 watts power supply
- PWM Mos-Fet power supply
- DC power link control
- DC switching link control
- LED power supply status
- 20sq.mm power terminals

Connection view

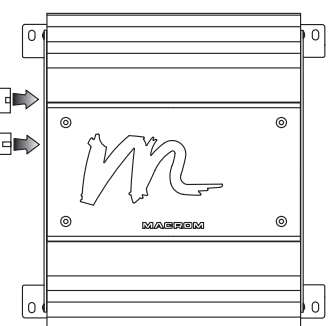


Power Supply



EXT.A2PS

Power Amplifier



EXT.A3A